

Cranked handles with retractable handle

Aluminium

SPECIFICATION

Body
Aluminium
plastic coated
black, RAL 9005, textured finish **SW**
silver, RAL 9006, textured finish **SR**
hub machined
Hub cover
light grey

Retractable handles GN 798.3 (see page 586)

Plastic, Technopolymer
black, matt finish

Retractable mechanism
Steel, blackened



INFORMATION

The handpiece of cranked handles GN 472.3 is locked in a tapered bore in the operating position.

For tilting, the handle must first be pulled out of the taper in axial direction.

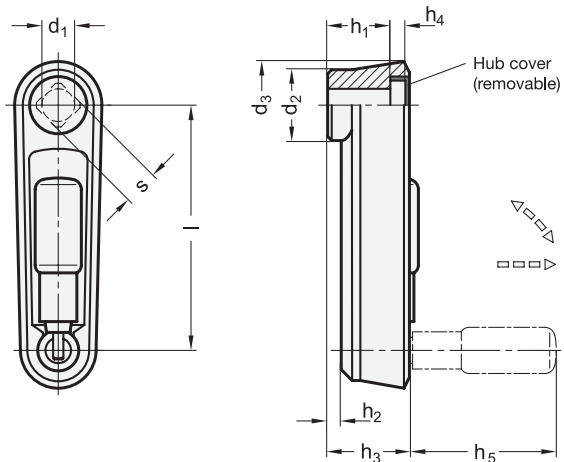
A compression spring holds the handle in both end positions. When folded out, it automatically re-engages.

ON REQUEST

- Retractable handle GN 798.5 (retractable mechanism Stainless Steel) (see page 586)

TECHNICAL INFORMATION

- Square DIN 79 (see page A16)
- Cross holes GN 110 (see page A17)
- ISO-Fundamental Tolerances (see page A21)



* Complete with colour index of the clamping lever body (SW or SR)

SW RAL9005 **SR** RAL9006

GN 472.3

Description	l	d1 H7	s H11	d2	d3	h1	h2	h3	h4	h5 ≈	Ø Handle	⚖
GN 472.3-80-B10-*	80	B 10	-	23	30	19.5	4	25.5	4.3	43	16	131
GN 472.3-80-V10-*	80	-	V 10	23	30	19.5	4	25.5	4.3	43	16	130
GN 472.3-100-B12-*	100	B 12	-	26.7	35	23.5	5.5	29.5	4.2	57.5	18	190
GN 472.3-100-V12-*	100	-	V 12	26.7	35	23.5	5.5	29.5	4.2	57.5	18	180
GN 472.3-125-B14-*	125	B 14	-	28	37	30.5	10.5	36.5	4.2	76.5	24	270
GN 472.3-125-V14-*	125	-	V 14	28	37	30.5	10.5	36.5	4.2	76.5	24	260

